

# AVerMedia AVerDVR POS Capture Box

## Quick Guide

### Introduction

Thank you for purchasing AVerMedia® product. With the AVerDVR POS Capture box, you can integrate your POS equipment with the AVerMedia AVerDVR NV series or any surveillance system that support POS feature. It transmits the transaction data on both POS printer and surveillance system. This way the transaction data can be overlaid on the surveillance video, then you can monitor, record, and keep track of the items that were sold.

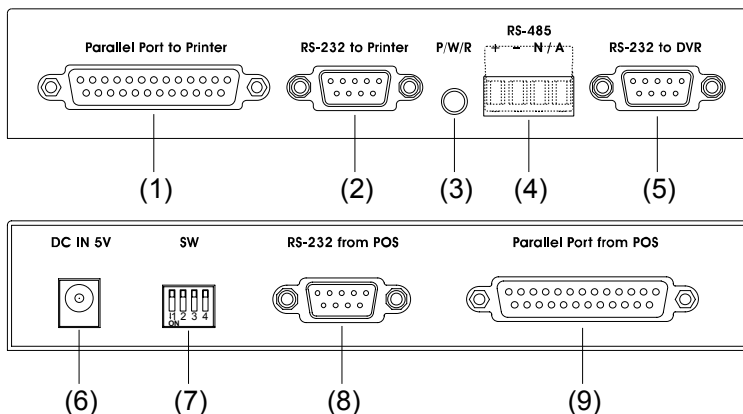
### Package Contents

- AVerDVR POS Capture box
- Power Adapter DC 5V
- DB9 RS-232 cable (2m)
- DB9 RS-232 cable (3m)
- DB25 Parallel cable (2m)
- DB9 Male to DB9 Male (Gender changer)
- DB9 Female to DB9 Female (Gender changer)
- Quick Guide

### System Requirement

Surveillance System must support POS feature or AVerDVR NV DVR Series.

### AVerDVR POS Capture box Parts



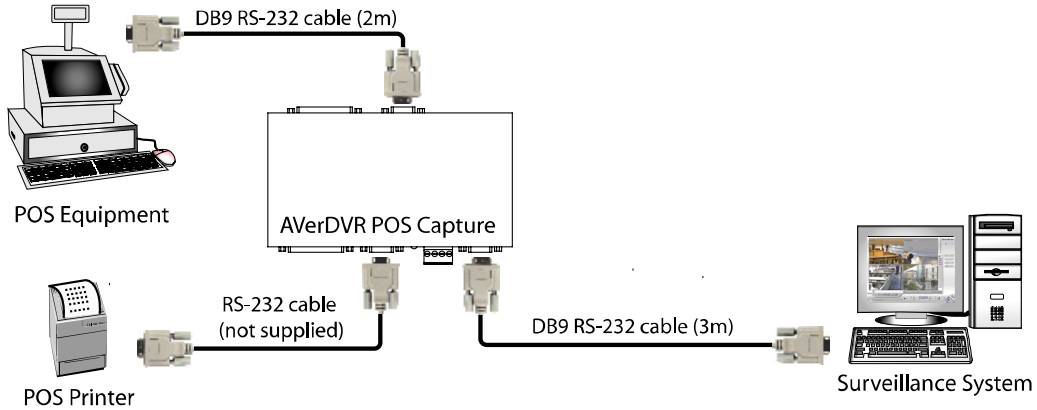
No.	Name	Description
1	Parallel Port to Printer	Connect to parallel POS printer port.
2	RS-232 to Printer	Connect to serial POS printer port.
3	P/W/R	Light when the power is connected
4	RS-485	Connect to the RS-485 to RS-232 converter.
5	RS-232 to DVR	Connect to surveillance system computer COM port.
6	DC IN 5V	Connect the power adapter into this port.
7	SW	Use the dip switch no.1 & 2 to set the baud-rate setting. <b>Note:</b> If you use serial connection, it is not necessary to set the baud-rate.
Use the dip switch no. 3 to set the type of connection.		
8	RS-232 from POS	Connect to the POS system serial port.
9	Parallel Port from POS	Connect to the POS system parallel port.

## Making the Connection

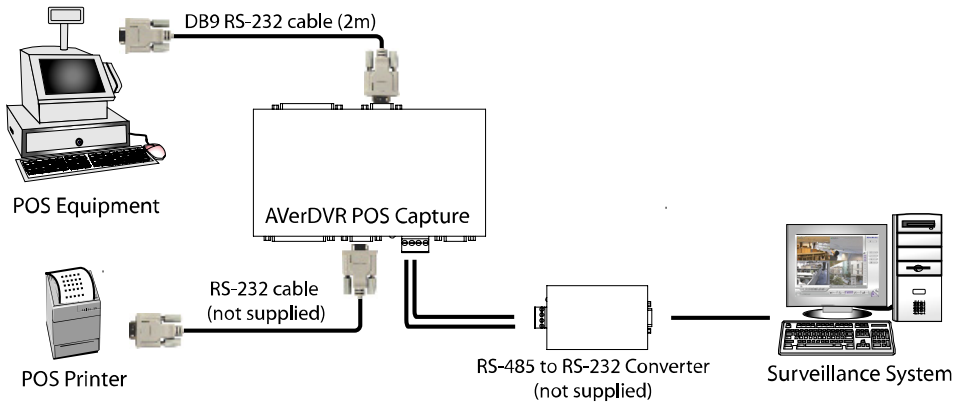
AVerDVR POS Capture box supports serial and parallel ports to connect your POS system. If the distance between POS and Surveillance is more than 10 meter, we suggest connecting the surveillance system through RS-485. Just follow the illustrated connection below:

### Serial Connection

Make sure dip switch no.3 is **OFF**.



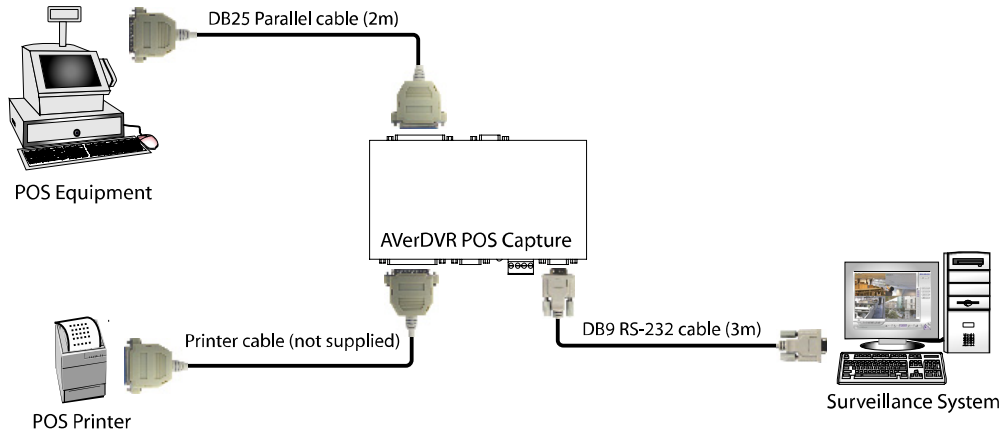
Connecting Via RS-232



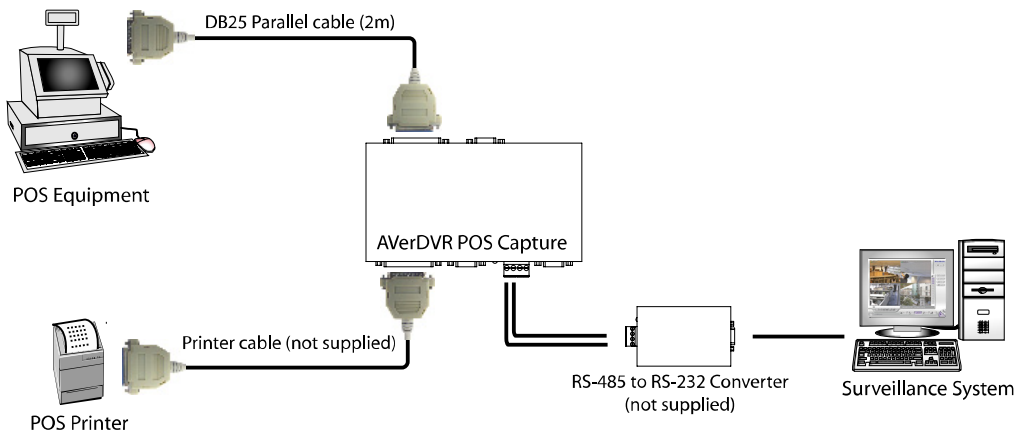
Connecting Via RS-485

### Parallel Connection

Make sure dip switch no.3 is **ON**.



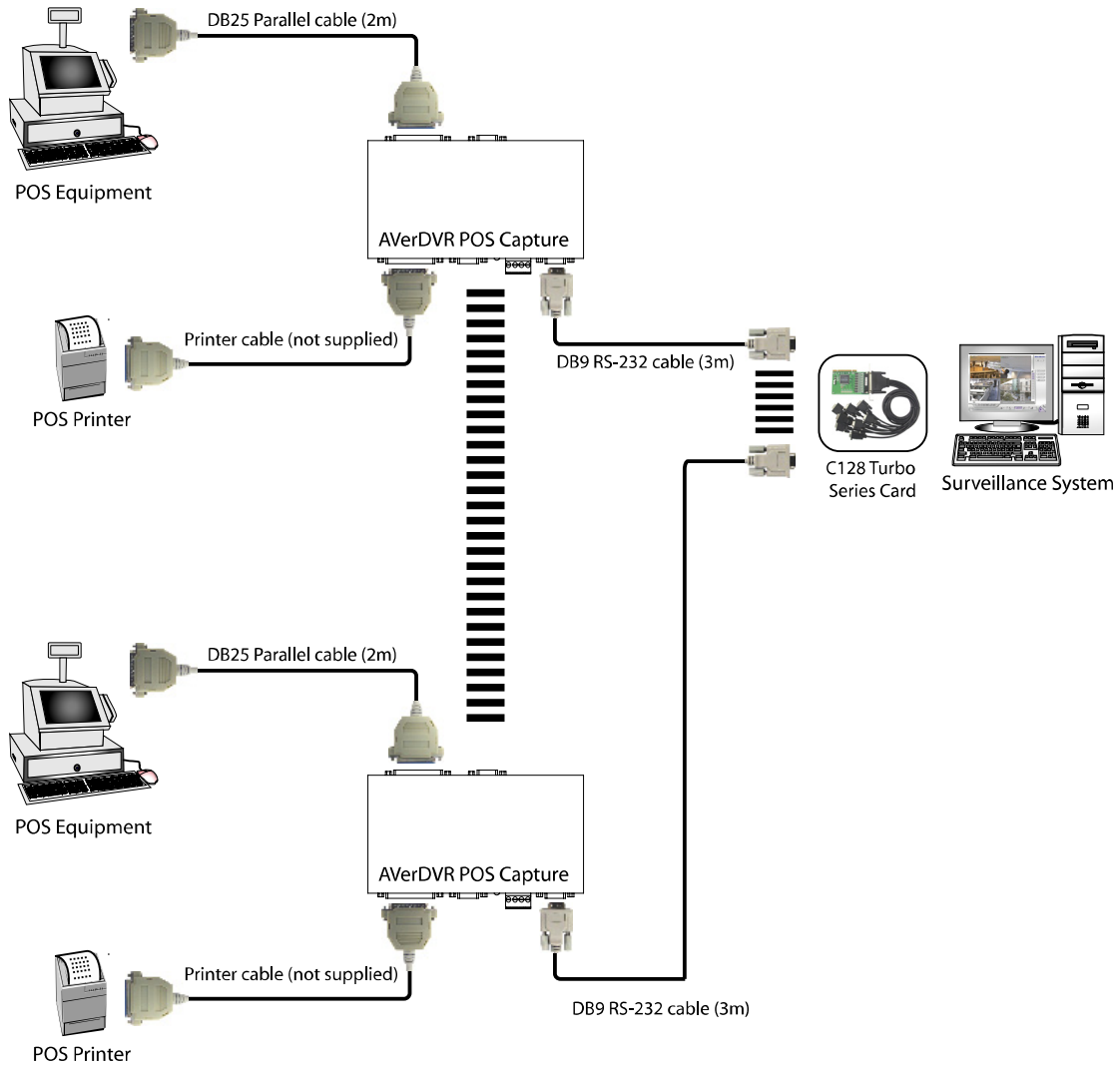
Connecting Via RS-232



### Connecting Via RS-485

## Multiple AVerDVR POS Capture Box Connection


You may connect more than one AVerDVR POS Capture box to a computer at the same time. Your PC must have Moxa C128 Turbo Series card, you may connect up to 16 AVerDVR POS Capture boxes to it.



## Setting DVR POS Configuration

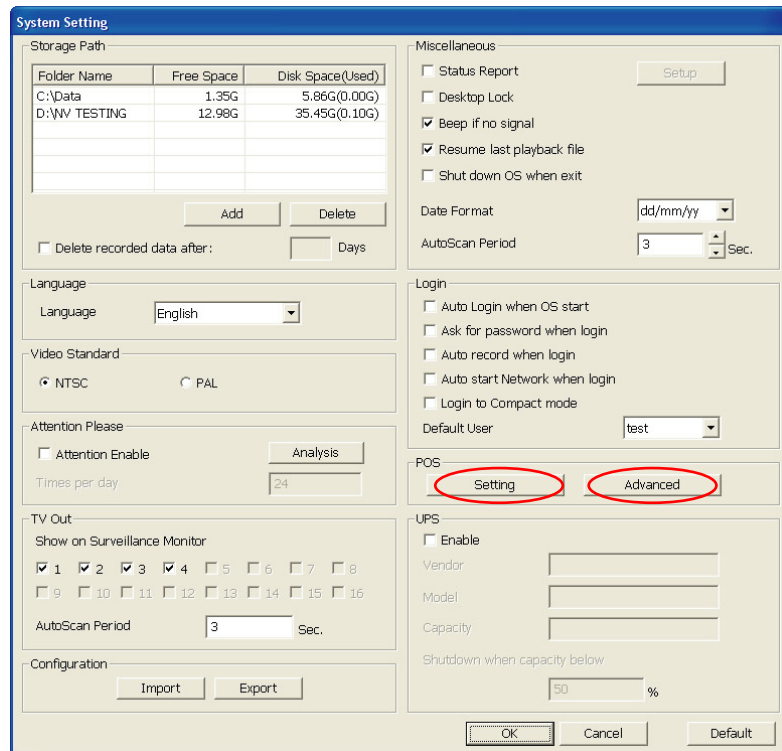
If you are using other Surveillance System, please refer to their user manual.

### To set the NV DVR POS setting:

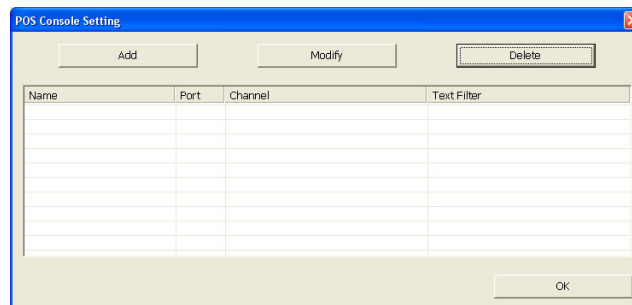
1. Run the NV DVR program.
2. In the Preview/Advanced screen mode, click .
3. When the NV DVR configuration setup selection appears, click System.



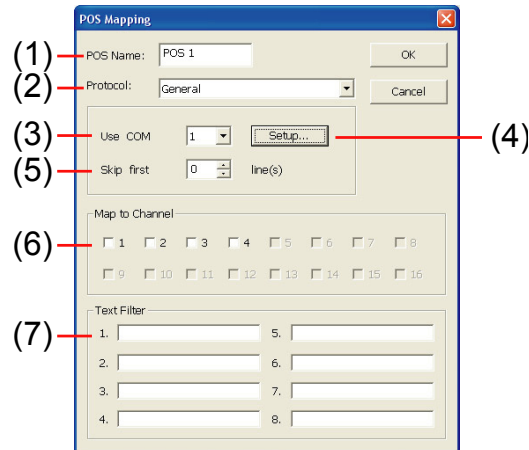
4. In the System Setting dialog box, POS section, click **Setting**. To set the text flow format and color, click **Advanced**.



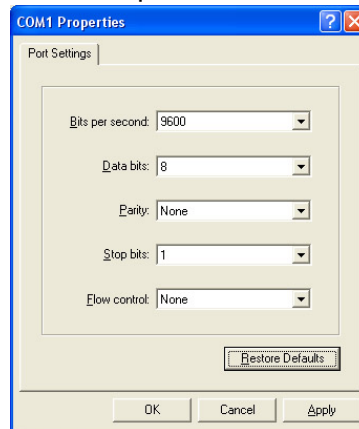
5. In the POS Console Setting dialog box, click **Add** to set a new POS setting, **Modify** to change the POS setting, and **Delete** to remove the selected POS setting. Click **OK** to save and close POS Console Setting.



6. In the POS Mapping dialog box, click **OK** to accept the settings and **Cancel** to exit without saving the new setting.



- (1) **POS Name** : Enter a name to identify the POS.
- (2) **Protocol** : Select General for Epson compatible printer or for TP\_3688.
- (3) **Use COM** : Select the COM port number to where it is connected.
- (4) **Setup...** : Set the COM Properties. Make sure the Bits per second is the same as the POS Capture box baud-rate setting.



- (5) **Skip first** : Set the number of lines you want to be removed.
- (6) **Map to Channel** : Select to which camera number to display the transaction text.
- (7) **Text Filter** : Enter the word you want to be removed.

**Specification:**

Input	RS-232 port from POS
	Parallel port from POS
Output	RS-232 port to printer
	Parallel port to printer
	RS-232 port to DVR
	RS-485(9600bps ~ 19200bps)
Baud-rate setting	9600, 19200, 57600, 115200 bps
DC IN	DC 5V, 2A
Operation temperature	-10 ~ 50 degree C
Humidity	0% ~ 90%
Dimensions	172(W) × 30(H) × 108(D) mm

## FCC NOTICE

This device has been tested and found to comply with the limits for a Class A digital device, pursuant to Part 15 of the FCC Rules. These limits are designed to provide reasonable protection against harmful interference in a commercial, industrial or business environment. This equipment can generate, use and radiate radio frequency energy and, if not installed and used in accordance with the instruction, may cause harmful interference to radio communications. However, there is no guarantee that interference will not occur in a particular installation. If this equipment does cause harmful interference to radio or television reception, which can be determined by turning the equipment off and on, the user is encouraged to try to correct the interference by one or more of the following measures:

- Reorient or relocate the receiving antenna.
- Increase the separation between the equipment and receiver.
- Connect the equipment into an outlet on a circuit different from that to which the receiver is connected.
- Consult the dealer or an experienced radio/TV technician for help.

This device complies with Part 15 of the FCC Rules. Operation is subject to the following two conditions: (1) this device may not cause harmful interference, and (2) this device must accept any interference received, including interference that may cause undesired operation.

## CAUTION ON MODIFICATIONS

To comply with the limits for the Class A digital device, pursuant to Part 15 of the FCC Rules, this device must be installed in computer equipment certified to comply with the Class A limits. All cables used to connect the computer and peripherals must be shielded and grounded. Operation with non-certified computers or non-shielded cables may result in interference to radio or television reception.

Any changes or modifications not expressly approved by the grantee of this device could void the user's authority to operate the equipment.

## CE NOTICE

This product is conformity with the protection requirements of EU Council Directives 89/336/EEC amended by 92/31/EEC on the laws of the Member States relating to electromagnetic compatibility.

**Warning-** This is a Class A product. In a domestic environment this product may cause radio interference in which case the user may be required to take adequate measures to correct this interference.

## DISCLAIMER

No warranty or representation, either expressed or implied, is made with respect to the contents of this documentation, its quality, performance, merchantability, or fitness for a particular purpose. Information presented in this documentation has been carefully checked for reliability; however, no responsibility is assumed for inaccuracies. The information contained in this documentation is subject to change without notice.

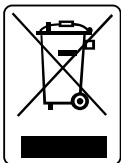
In no event will AVerMedia be liable for direct, indirect, special, incidental, or consequential damages arising out of the use or inability to use this product or documentation, even if advised of the possibility of such damages.

## TRADEMARKS

AVerMedia is a trademark of AVerMedia® TECHNOLOGIES, Inc. IBM PC is a registered trademark of International Business Machines Corporation. Microsoft is a registered trademark and Windows is a trademark of Microsoft Corporation. All other products or corporate names mentioned in this documentation are for identification and explanation purposes only, and may be trademarks or registered trademarks of their respective owners.

## COPYRIGHT

2006 by AVerMedia® TECHNOLOGIES, Inc. All rights reserved. No part of this publication may be reproduced, transmitted, transcribed, stored in a retrieval system, or translated into any language in any form by any means without the written permission of AVerMedia® TECHNOLOGIES, Inc.



Following information is only for EU-member states:

The use of the symbol indicates that this product may not be treated as household waste. By ensuring this product is disposed of correctly, you will help prevent potential negative consequences for the environment and human health, which could otherwise be caused by inappropriate waste handling of this product. For more detailed information about recycling of this product, please contact your local city office, your household waste disposal service or the shop where you purchased the product.